

TITAN TOOL

TYPE G[®] AND COMPAC[®] SERIES STUD DRIVERS

- Positive drive for applications where restricted space does not permit use of bigger diameter automatic self-releasing stud drivers.
- “Loose Plunger” assures quick release of stud upon reversal of power spindle.
- Ideal for all hand held and semi or fully automatic assembly machines.



TYPE G™ AND COMPAC® SERIES STUD DRIVERS

The **TITAN TYPE G** and **COMPAC SERIES** Stud Drivers offer exceptional quality at economical prices. Made of high alloy steel and specially heat treated, they are ideal for use on all industrial applications.

Their small diameter permits use where limited space is available due to side restrictions.

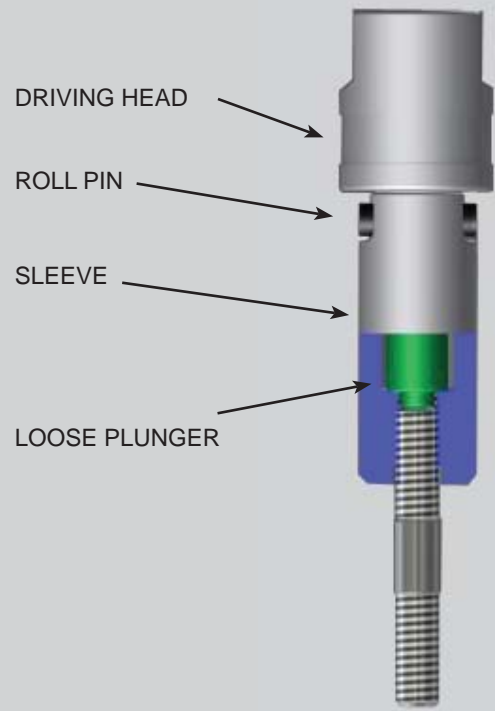
The "loose plunger" design of the **TITAN TYPE G** and **COMPAC SERIES** allows the drive head to back away instantly upon reversal of power tool, thereby eliminating

all pressure, allowing the sleeve to unthread freely from the driven stud.

Use with T-Handle, or any reversible power tool except impact wrench.

Easily adapts to **TITAN "TITANTORKER"** or **"TORQUETTE"** for applications requiring torque control.

All parts of wear are independently replaceable. (Please refer to parts lists for appropriate part numbers).



TOOL NUMBERS

TOOL SIZE	STUD SIZE	3/8" FEMALE SQUARE DRIVE	1/2" FEMALE SQUARE DRIVE	3/8"-24 FEMALE THREAD DRIVE	1/2"-20 FEMALE THREAD DRIVE	5/8"-16 FEMALE THREAD DRIVE	7/8"-14 FEMALE THREAD DRIVE	3/4" FEMALE SQUARE DRIVE	1" FEMALE SQUARE DRIVE
G-0	#6-32	G0-SQ3-01	G0-SQ5-01	G0-324-01	G0-520-01	G0-616-01	-	-	-
	#6-40	-02	-02	-02	-02	-02	-	-	-
	#8-32	-03	-03	-03	-03	-03	-	-	-
COMPAC-1	#8-32	C1-SQ3-01	C1-SQ5-01	C1-324-01	C1-520-01	C1-616-01	-	-	-
	#10-24	-02	-02	-02	-02	-02	-	-	-
	#10-32	-03	-03	-03	-03	-03	-	-	-
	1/4"-20	-04	-04	-04	-04	-04	-	-	-
	1/4"-28	-05	-05	-05	-05	-05	-	-	-
	5/16"-18	-06	-06	-06	-06	-06	-	-	-
	5/16"-24	-07	-07	-07	-07	-07	-	-	-
	3/8"-16	-08	-08	-08	-08	-08	-	-	-
	3/8"-24	-09	-09	-09	-09	-09	-	-	-
	M4x.7	-10	-10	-10	-10	-10	-	-	-
	M5x.8	-12	-12	-12	-12	-12	-	-	-
	M6x1.00	-13	-13	-13	-13	-13	-	-	-
	M7x1.00	-14	-14	-14	-14	-14	-	-	-
	M8x1.25	-15	-15	-15	-15	-15	-	-	-
	M8x1.00	-16	-16	-16	-16	-16	-	-	-
M10x1.50	-17	-17	-17	-17	-17	-	-	-	
M10x1.25	-18	-18	-18	-18	-18	-	-	-	
G-1	#10-24	G1-SQ3-01	G1-SQ5-01	G1-324-01	G1-520-01	G1-616-01	-	-	-
	#10-32	-02	-02	-02	-02	-02	-	-	-
	1/4"-20	-03	-03	-03	-03	-03	-	-	-
	1/4"-28	-04	-04	-04	-04	-04	-	-	-
	5/16"-18	-05	-05	-05	-05	-05	-	-	-
	5/16"-24	-06	-06	-06	-06	-06	-	-	-
	3/8"-16	-07	-07	-07	-07	-07	-	-	-
	3/8"-24	-08	-08	-08	-08	-08	-	-	-
	M5x.8	-09	-09	-09	-09	-09	-	-	-
	M6x1.00	-10	-10	-10	-10	-10	-	-	-
	M8x1.25	-12	-12	-12	-12	-12	-	-	-

TOOL NUMBERS continued

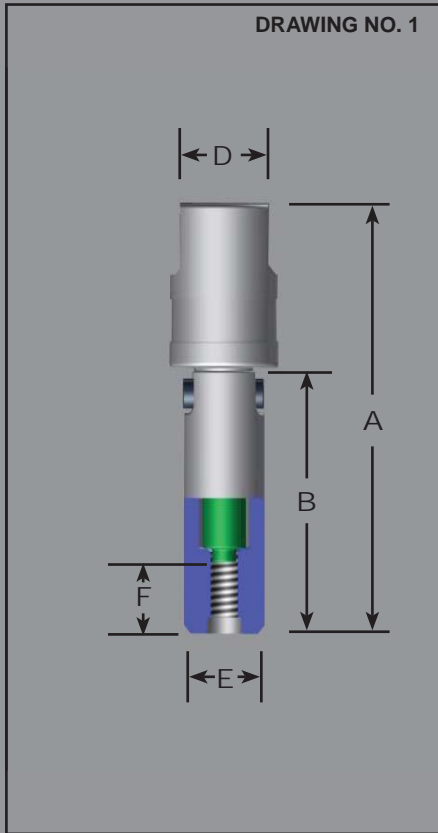
TOOL SIZE	STUD SIZE	3/8"	1/2"	3/8"-24	1/2"-20	5/8"-16	7/8"-14	3/4"	1"
		FEMALE SQUARE DRIVE	FEMALE SQUARE DRIVE	FEMALE THREAD DRIVE	FEMALE THREAD DRIVE	FEMALE THREAD DRIVE	FEMALE THREAD DRIVE	FEMALE SQUARE DRIVE	FEMALE SQUARE DRIVE
COMPAC-2	3/8"-16	-	C2-SQ5-01	-	C2-520-01	C2-616-01	-	-	-
	3/8"-24	-	-02	-	-02	-02	-	-	-
	7/16"-14	-	-03	-	-03	-03	-	-	-
	7/16"-20	-	-04	-	-04	-04	-	-	-
	1/2"-13	-	-05	-	-05	-05	-	-	-
	1/2"-20	-	-06	-	-06	-06	-	-	-
	M10x1.50	-	-07	-	-07	-07	-	-	-
	M10x1.25	-	-08	-	-08	-08	-	-	-
	M12x1.75	-	-09	-	-09	-09	-	-	-
M12x1.25	-	-10	-	-10	-10	-	-	-	
G-3	1/2"-13	-	G3-SQ5-01	-	-	-	G3-875-01	-	-
	1/2"-20	-	-02	-	-	-	-02	-	-
	9/16"-12	-	-03	-	-	-	-03	-	-
	9/16"-18	-	-04	-	-	-	-04	-	-
	5/8"-11	-	-05	-	-	-	-05	-	-
	5/8"-18	-	-06	-	-	-	-06	-	-
	3/4"-10	-	-07	-	-	-	-07	-	-
	3/4"-16	-	-08	-	-	-	-08	-	-
	M12x1.75	-	-09	-	-	-	-09	-	-
	M12x1.25	-	-10	-	-	-	-10	-	-
	M14x2.00	-	-12	-	-	-	-12	-	-
	M14x1.50	-	-13	-	-	-	-13	-	-
	M16x2.00	-	-14	-	-	-	-14	-	-
	M16x1.50	-	-15	-	-	-	-15	-	-
	M18x2.50	-	-16	-	-	-	-16	-	-
	M18x1.50	-	-17	-	-	-	-17	-	-
	M20x2.50	-	-18	-	-	-	-18	-	-
M20x1.50	-	-	-	-	-	-	-	-	
G-4-1000 SPECIAL-TO-ORDER (Not all sizes in stock) Metric Sizes Quoted on Request	3/4"-10	-	-	-	-	-	G41-875-01	G41-SQ7-01	G41-SQ1-01
	3/4"-16	-	-	-	-	-	-02	-02	-02
	7/8"-9	-	-	-	-	-	-03	-03	-03
	7/8"-14	-	-	-	-	-	-04	-04	-04
	1"-8	-	-	-	-	-	-05	-05	-05
	1"-12	-	-	-	-	-	-06	-06	-06
1"-14	-	-	-	-	-	-07	-07	-07	
G-4-1000 SPECIAL-TO-ORDER (Not all sizes in stock) Metric Sizes Quoted on Request	1 1/8"-7	-	-	-	-	-	G45-875-20	G45-SQ7-20	G45-SQ1-20
	1 1/8"-8	-	-	-	-	-	-21	-21	-21
	1 1/8"-12	-	-	-	-	-	-22	-22	-22
	1 1/4"-7	-	-	-	-	-	-23	-23	-23
	1 1/4"-8	-	-	-	-	-	-24	-24	-24
	1 1/4"-12	-	-	-	-	-	-25	-25	-25
	1 3/8"-6	-	-	-	-	-	-26	-26	-26
	1 3/8"-8	-	-	-	-	-	-27	-27	-27
	1 3/8"-12	-	-	-	-	-	-28	-28	-28
	1 1/2"-6	-	-	-	-	-	-29	-29	-29
	1 1/2"-8	-	-	-	-	-	-30	-30	-30
1 1/2"-12	-	-	-	-	-	-31	-31	-31	



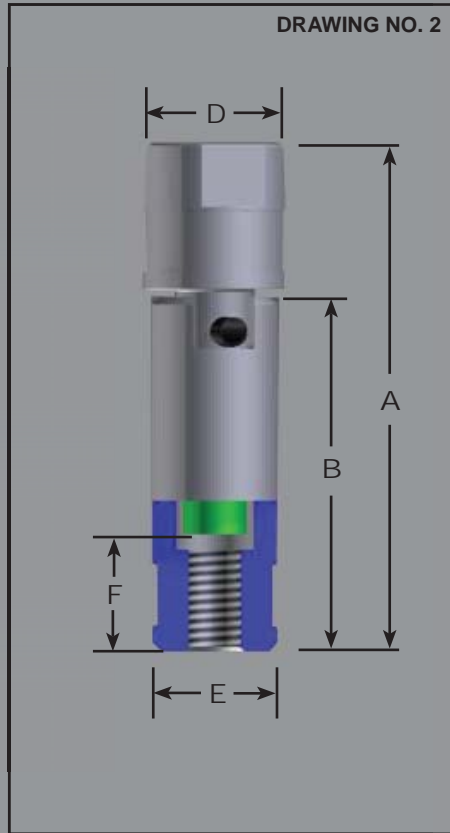
T-HANDLE

NO.	T-HANDLE SIZE
TEE-SQ3	10" T-HANDLE WITH 3/8" MALE SQUARE
TEE-SQ5	11" T-HANDLE WITH 1/2" MALE SQUARE

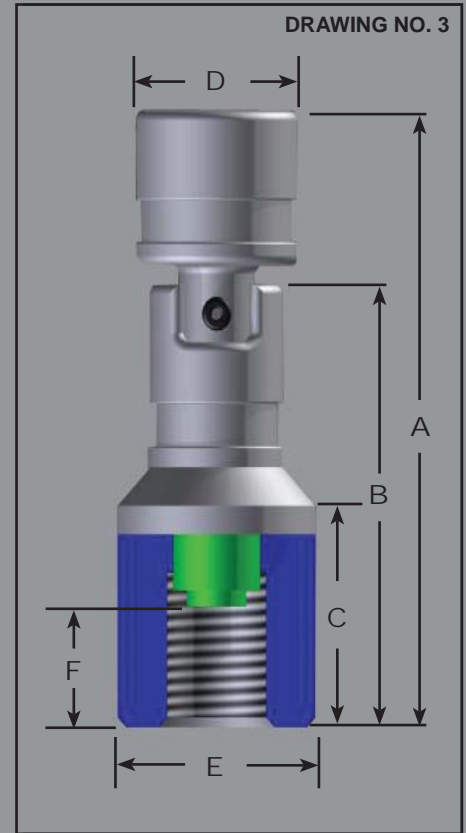
TYPE G™ AND COMPAC® SERIES STUD DRIVERS



G-0
G-1
COMPAC-1



COMPAC-2
G-3
G-4-1000



G4-1500

TOOL SIZE	DRAWING NO.	WEIGHT (LBS.)	A	B	C	D	E	STUD ENGAGEMENT FORMULA
								F
G-0	1	.44	4 5/8"	3 1/8"	-	1"	1/2"	1 1/2" x STUD DIA. PLUS 1/8" COUNTERBORE
G-1	1	.55	4 5/8"	3 1/8"	-	1"	11/16"	
COMPAC-1	1	.37	3 7/32"	2"	-	1"	11/16"	
COMPAC-2	2	.81	4 1/8"	2 7/8"	-	1 1/8"	1"	1 1/2" x STUD DIA. INCLUDING 1/8" COUNTERBORE
G-3	2	3.06	6 3/16"	4 1/2"	-	1 3/4"	1 1/2"	1 1/2" x STUD DIA. INCLUDING 1/4" COUNTERBORE
G-4-1000	2	5.81	7"	5"	-	2 7/16"	2"	1 STUD DIA. PLUS 1/4" COUNTERBORE
G-4-1500	3	10.33	7 3/4"	5 3/4"	2 7/8"	2 7/16"	3"	

IMPORTANT - INCLUDE SAMPLE STUD WITH ORDER



TITAN® TOOL COMPANY, INC.

7410 West Ridge Road • P.O. Box 220 • Fairview, PA 16415

Phone (814) 474-1583 • FAX (814) 474-5337 • Email: titan@titantoolco.com